

Φ 50mm E14 Spotlight Series  
Technical Data Sheet

Model No: LM-SDRG21XX4



## Features

- ◇ High Intensity
- ◇ Low Power Consumption.
- ◇ Long life.
- ◇ Voltages Available 220~240VAC.
- ◇ Available for all color
- ◇ Easy-equipped.

## Description

This LED lightings are substitution of halogen lightings E14. It has high luminant efficiency by using super brihgt LED. The colors of lighting can be white, warn white, red, yellow, blue, green and other colors.

## Application

- ◇ Entertainment Lighting
- ◇ Architectural lighting
- ◇ City Beautification
- ◇ Landscape lighting
- ◇ Medical lighting
- ◇ Portable lighting
- ◇ Other light sources

## Device Selection Guide

Part No.	Color	Q'ty of LEDs (pcs)	Color Temp / Wavelength Typ (kelvin/nm)	Total Lumens Typ (lm)
LM-SDRG21W64	Warm White	21	3200K	37.6
LM-SDRG21W04	Cool White	21	5500K	34.0
LM-SDRG21B04	Blue	21	470nm	6.0
LM-SDRG21G04	Green	21	525nm	28.4
LM-SDRG21Y04	Yellow	21	590nm	12.8
LM-SDRG21R04	Red	21	624nm	14.0

Spec No: LM-E14-01 Rev No. V.1 Data: Aug/15/2006 Page: 2 OF 4

Approved: Bob Checked Zhenguoxie Drawn: Huijunchen

### Absolute Maximum Ratings ( Ta =25°C)

Items	Symbol	Rating	Units
Operating Voltage	Viac	AC 240	V
Input Current	li	AC 6.2	mA
Operating frequency	Freo	50-60	Hz
Power Dissipation	Pa	1.3-1.5	W
Operating Temperature	Tope	-30 - +50	°C
Storage Temperature	Tsto	-40 - + 80	°C

### Typical Performance ( Ta =25°C)

Items	Symbol	Min	Typ.	Max.	Units
Input Voltage	Vi	---	220	240	V
Input Current	If	---	---	6.5	mA
Beam Pattern	BP	---	50	---	Deg
Total Length	Lmod.	---	51.5	---	mm
Net Weight	Wei.	---	54.5	---	g
Estimated Life [1]	Life	30000	---	---	hour
Optimized Thermal Management (Body Temperature)	/		---	50	°C

Notes:

- [1] The estimated life of E14 with Lucky Light's lamps are estimated base on the LED light 4-8 hours each day. and Lucky Light only guarantee 30000 hours in specification , but it is longer than 30000 hours .
- Rank rations will be determined by Lucky Light , if you have any request or queries for Lucky Light products , please directly contact salesman .
- The brightness and forward voltage can be designed according to customer specifications.
- Specifications are subject to change without notice

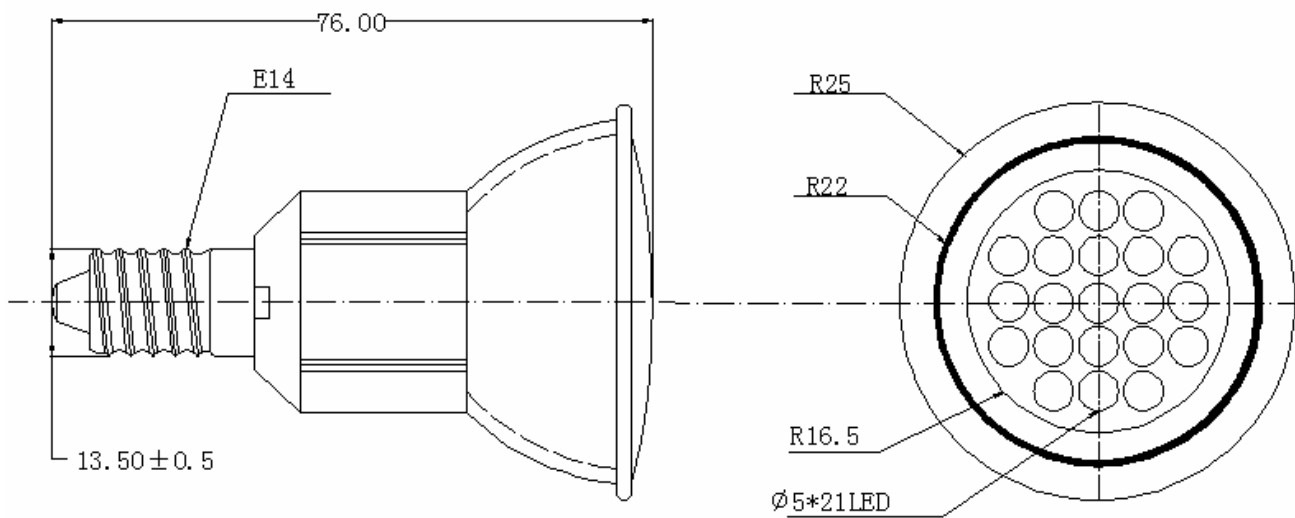
Spec No: LM-E14-01 Rev No. V.1 Data: Aug/15/2006 Page: 3 OF 4

Approved: Bob Checked Zhenguoxie Drawn: Huijunchen

**Product picture:**



**Product Dimensions**



**Notes:**

1. All dimensions unit in mm .
2. The tolerance is +/- 0.2mm unless otherwise noted